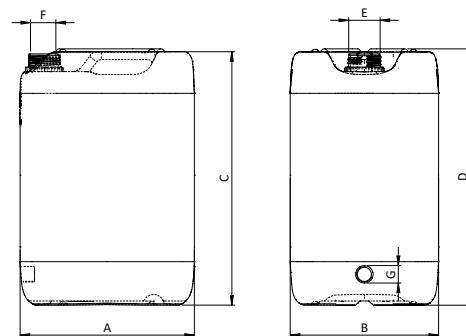


TECHNICAL SPECIFICATIONS

Canister Type KE - 20, 25 and 30 liter



Article name	Article number	Nominal content in liters	Net weight in grams	Packaging unit		Approximate dimensions in mm						
				per PU	per pallette	A	B	C	D	E	F	G
2060-KE/UN	4212+	20	850	12	60	290	252	370	374	DIN 60	48	
2060-KE/UN	4214+	20	1200	12	60	290	252	370	374	DIN 60	48	
2560-KE/UG/UN	4668+	25	950	12	60	290	252	435	439	DIN 60	48	¾ "
2560-KE/UG/UN	6124+	25	1100	12	60	290	252	435	439	DIN 60	48	¾ "
2560-KE/UG/UN	4235+	25	1300	12	60	290	252	435	439	DIN 60	48	¾ "
2590-KE/UN	4270+	25	1400	12	60	290	252	435	439	DIN 90	78	
2590-KE/UN	4271+	25	1200	12	60	290	252	435	439	DIN 90	78	
3060-KE/UG/UN	4292+	30	1500	12	48	290	252	500	504	DIN 60	48	¾ "
3090-KE/UN	4888+	30	1320	12	48	290	252	500	504	DIN 90	78	

MATERIAL

- Basic material Polyethylene (HDPE)
- Masterbatch
- Process-related regranulate from the same batch (closed loop, no recycled material from other batches)
- All used materials are approved according to food safety regulations

DESIGN

- Safe packaging of liquid fill goods in Packaging Group I and II (X and Y)
- Food packaging for the storage and transport of all types of liquid foodstuffs
- Primary packaging for pharmaceutical agents
- Low water vapor permeability
- Corrosion resistant
- High resistance to chemicals and acids
- Standard version natural, various colors available from stock
- Special colors, visibility stripes available upon request

APPLICATIONS

- Flavors and fragrances
- Cleaning agents
- Disinfectants
- Foods (fatty, acidic, aqueous, alcoholic)
- Pharmaceutical active ingredients

ENVIRONMENT

- Recycling of uncontaminated HDPE is possible
- HDPE can be safely destroyed
- Good residual emptying is ensured
- Colorants are free of heavy metals

PRODUCTION / QUALITY ASSURANCE

- ISO 9001 certified
- BRC production
- Low-germ filtered blown air
- Controlled manufacturing (particles, microbiology, migration)
- Hygiene standards

APPROVAL

- Food packaging in accordance with EC 1935:2004
- 2002/72/EG
- Consumer Goods Ordinance
- UN approval for the transport of dangerous goods according to ADR/SDR, RID/RSD, IATA
- Declaration of conformity according to EU/10/2011

ASSIMILATION

- Water
- Acetic acid
- Wetting agent
- Hydrocarbon mixture
- n-Butyl acetate

STORAGE STABILITY (WITHOUT CONTENTS)

- When stored correctly (dry, without sunlight, and at temperatures from 5° to 30°C), the product is durable for up to two years after the production date.

CLOSURE AND ACCESSORIES

- Screw cap art. 4557 DIN 60-D-PE/G black SR tightening torque 12 – 14 Nm
- Screw cap art. 4577 DIN 90-D-PE/G black SR tightening torque 12 – 15 Nm
- For more, see accessories sheet

PALLETIZATION

- Euro pallet (class A) 80 x 120 cm
- 2060-KE pallet height approx. 200 cm
- 2560-KE and 2590-KE pallet height approx. 190 cm
- 3060-KE and 3090-KE pallet height approx. 220 cm